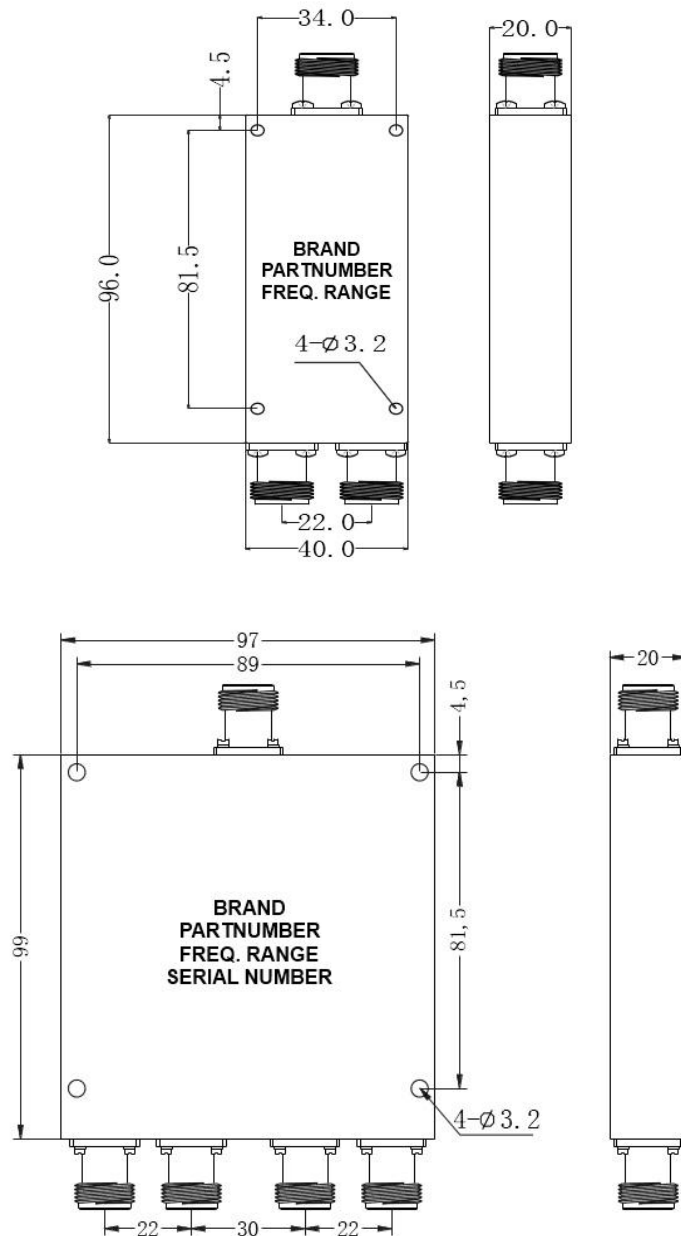


TUNEFUL CORPORATION

RF DIVISION

Microwave Power Divider with N type connector up to 18 GHz– basic outline:



ATTENTION: THIS IS THE BASIC DRAWING, THE OUTLINE MAY VARY DEPENDING ON THE OPTIONS YOU CHOOSE FOR THE PRODUCT, PLEASE, CONSULT THE FACTORY

#6504, SHASAN ROAD, SHAJING TOWN, BADAN DISTRICT, SHENZHEN, CHINA 518104

BASIC CHARACTERISTICS (NORMALLY APPLICABLE TO THE SERIES):

Impedance (Ohms) - 50Ω

Input Connector – N type

Output Connector – N type

Finishing – Protective paint

Material - Aluminum

Seal - Hermetically Sealed

Environment specifications:

Operational Temperature (C°) - -55 ~ +85

Storage Temperature (C°) -50 ~ +125

Altitude - 30,000 ft (In controlled environment)

Vibration - 25g rms (15 degree 2KHz)

Humidity - 100% RH at 35c, 95%RH at 40 deg c

Shock - 20G for 11msc