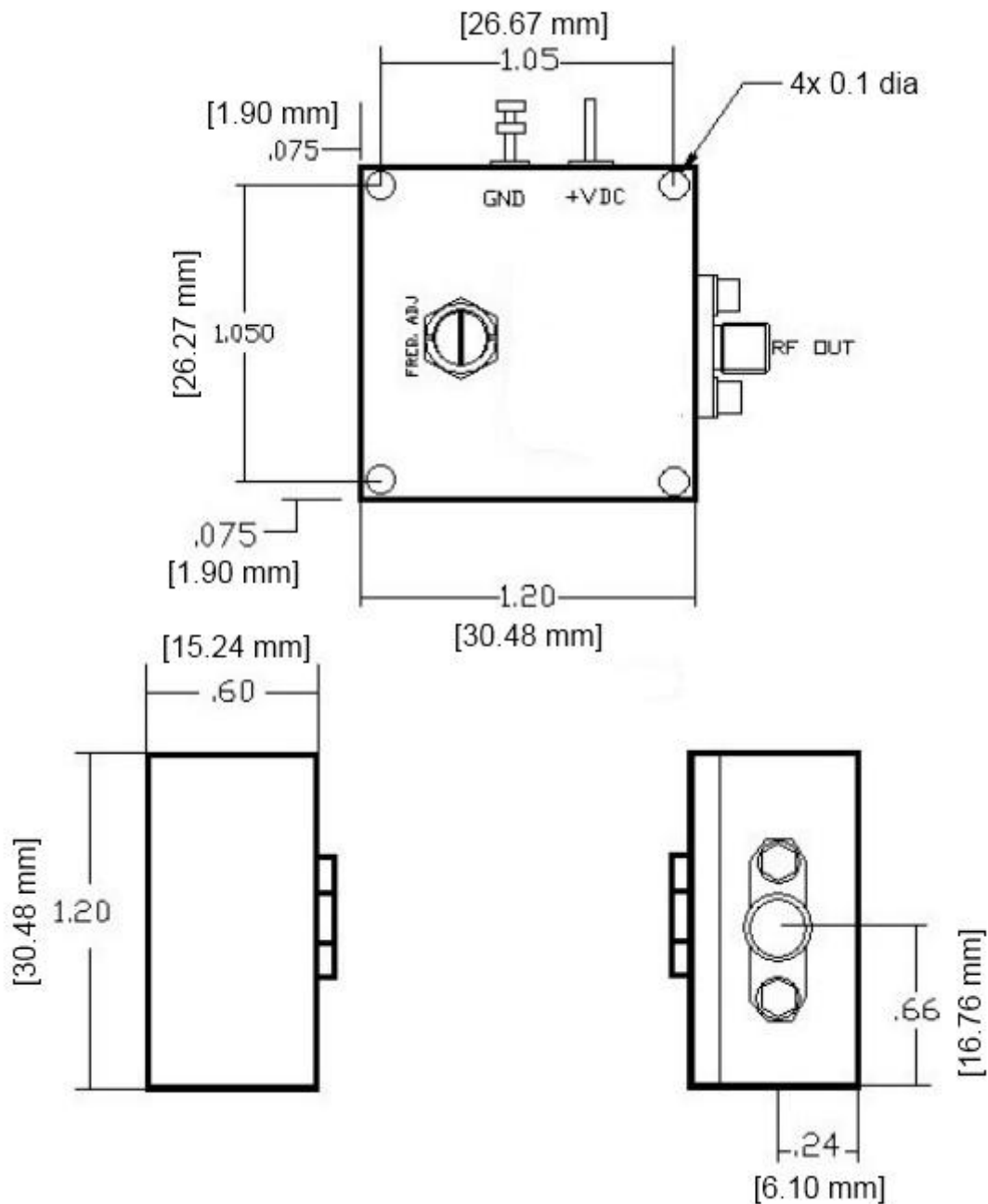


# TUNEFUL CORPORATION

## RF DIVISION

Extra Small Size Free Run Dielectric Resonator Oscillator from 8.0 to 18.0 GHz – basic outline:



ATTENTION: THIS IS THE BASIC DRAWING, THE OUTLINE MAY VARY DEPENDING ON THE OPTIONS YOU CHOOSE FOR THE PRODUCT, PLEASE, CONSULT THE FACTORY

BASIC CHARACTERISTICS (NORMALLY APPLICABLE TO THE SERIES):

Input Connector – SMA-Female type

Output Connector – SMA-Female type

Finishing – Nickel

Seal - Hermetically Sealed

**Specifications:**

Operational Temperature (C°) – option

Storage Temperature (C°) - -55 ~ +125

Frequency: from 8.0 GHz to 18.0 GHz

Output Power - from +13 dBm to +18 dBm

Maximum VSWR - 2

Power Supply Requirements - +10 - +15 VDC, 90 mA

Frequency Stability - 4 ppm/ °C

Spurious - -85 dBc

Harmonics - -25 dBc