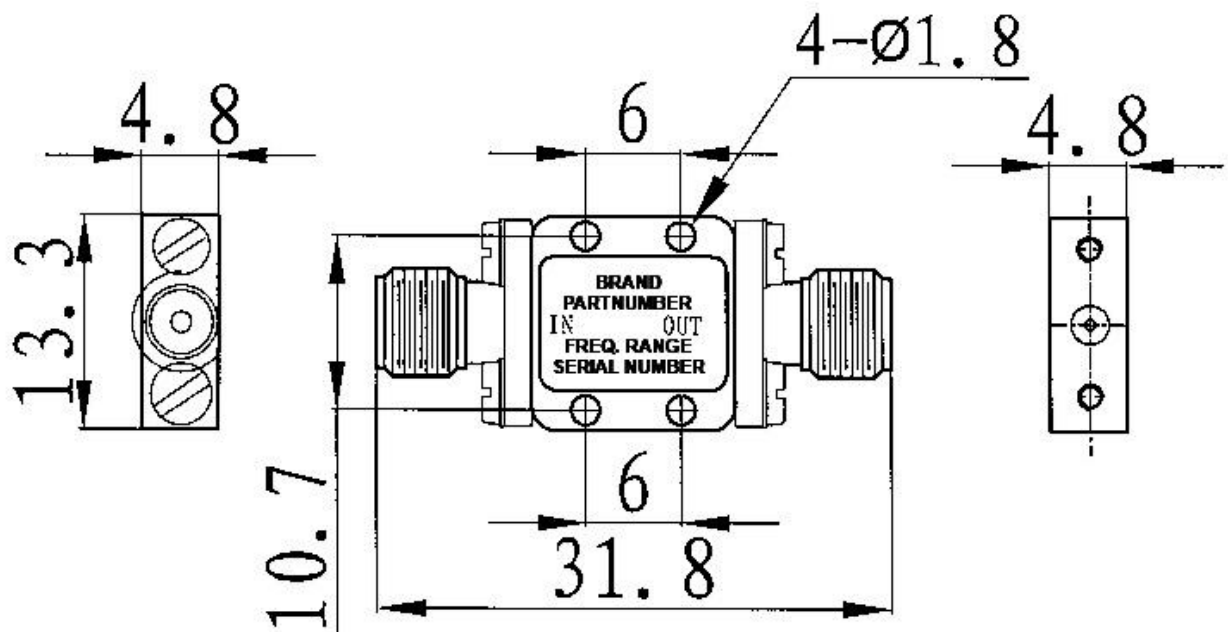


**TUNEFUL
CORPORATION
RF DIVISION**

Miniature size Regular Frequency Multiplier with SMA connectors (TFFM-2DC) – basic outline:



ATTENTION: THIS IS THE BASIC DRAWING, THE OUTLINE MAY VARY DEPENDING ON THE OPTIONS YOU CHOOSE FOR THE PRODUCT, PLEASE, CONSULT THE FACTORY

BASIC CHARACTERISTICS (NORMALLY APPLICABLE TO THE SERIES):

Input Connector – SMA-Female type

Output Connector – SMA-Female type

Finishing – Nickel

Seal - Hermetically Sealed

Specifications:

Operational Temperature (C°) – -55 ~ +85

Storage Temperature (C°) - -55 ~ +125

Driving power (inner oscillator) - 13 dBm