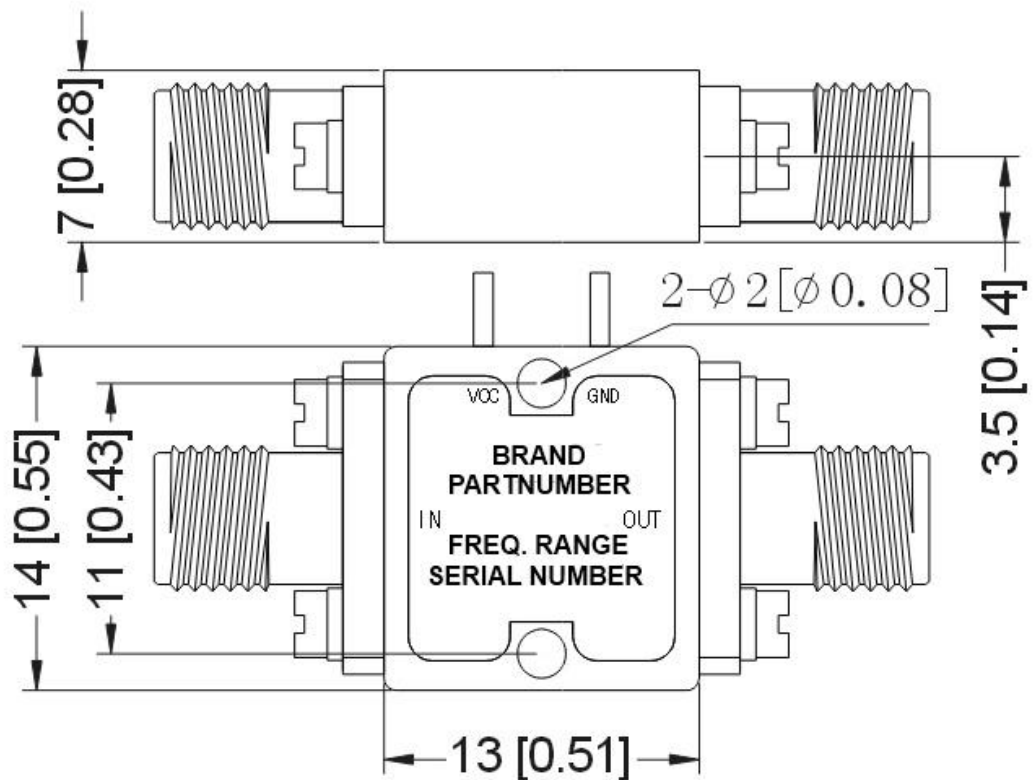


**TUNEFUL
CORPORATION
RF DIVISION**

Voltage Controlled Microwave Attenuator (high frequencies) – basic outline:



ATTENTION: THIS IS THE BASIC DRAWING, THE OUTLINE MAY VARY
DEPENDING ON THE OPTIONS YOU CHOOSE FOR THE PRODUCT, PLEASE,
CONSULT THE FACTORY

BASIC CHARACTERISTICS (NORMALLY APPLICABLE TO THE SERIES):

Impedance (Ohms) - 50Ω

Power Supply (V) - +/-5 V DC

Current (mA) - 50mA (+5V) 30mA (-5V)

Input Connector - SMA-Female

Output Connector - SMA-Female

Finishing - Gold Plating

Material - Brass

Seal - Hermetically Sealed

Absolute Maximum Ratings

Input RF power - 33dBm

Environment specifications:

Operational Temperature (C°) - -45 ~ +85

Storage Temperature (C°) -50 ~ +125

Altitude - 30,000 ft (In controlled environment)

Vibration - 25g rms (15 degree 2KHz)

Humidity - 100% RH at 35c, 95%RH at 40 deg c

Shock - 20G for 11msc